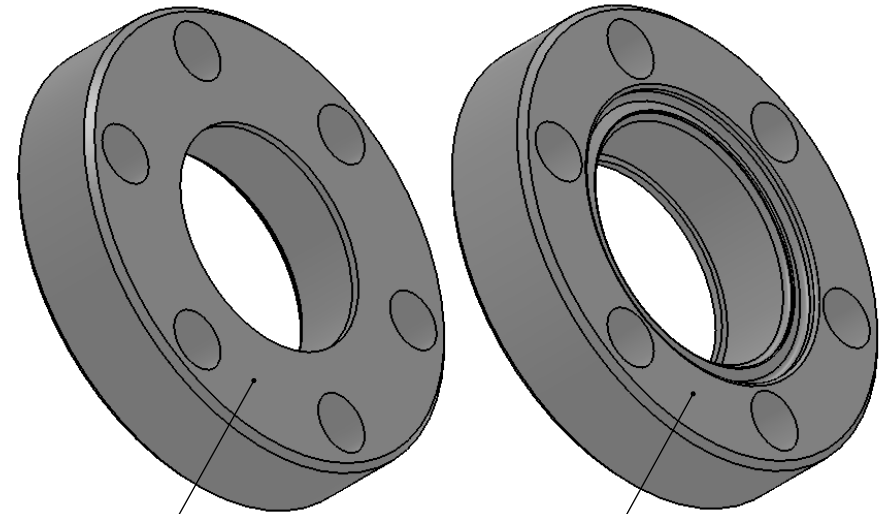
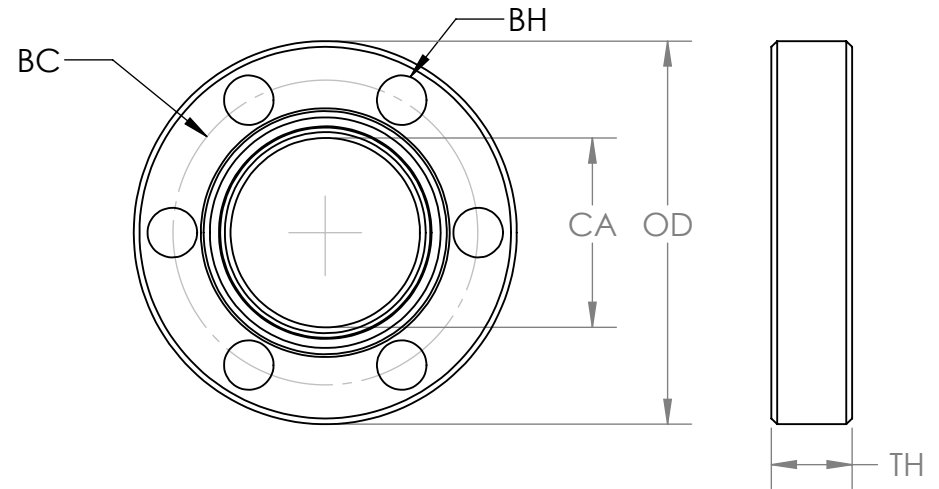


CONFLAT FLANGE SIGHT WINDOW, INTERNAL PRESSURE

No	ID NUMBER	OD [mm]	TH [mm]	BC [mm]	BH [mm]	CA [mm]
1	NW16CF	1 1/3" [33.78]	0.28" [7.1]	1.062" [26.9]	6x \varnothing 0.172"x60° [6x \varnothing 4.4x60°]	0.512" [13]
2	NW25CF	2 1/8" [53.98]	0.47" [11.9]	1.625" [41.3]	4x \varnothing 0.265"x90° [4x \varnothing 6.7x90°]	0.551" [14]
3	NW35CF	2 3/4" [69.85]	0.50" [12.7]	2.312" [58.7]	6x \varnothing 0.265"x60° [6x \varnothing 6.7x60°]	1.220" [31]
4	NW50CF	3 3/8" [85.85]	0.62" [15.8]	2.850" [72.4]	8x \varnothing 0.332"x45° [8x \varnothing 8.4x45°]	1.339" [34]
5	NW63CF	4 1/2" [114.30]	0.68" [17.3]	3.628" [92.2]	8x \varnothing 0.332"x45° [8x \varnothing 8.4x45°]	2.087" [53]
6	NW75CF	4 5/8" [116.33]	0.75" [19.1]	4.030" [102.4]	10x \varnothing 0.332"x36° [10x \varnothing 8.4x36°]	2.283" [58]
7	NW100CF	6" [152.40]	0.78" [19.8]	5.128" [130.3]	16x \varnothing 0.332"x23° [16x \varnothing 8.4x23°]	2.874" [73]
8	NW130CF	6 3/4" [171.45]	0.84" [21.4]	5.969" [151.6]	18x \varnothing 0.332"x20° [18x \varnothing 8.4x20°]	3.890" [99]
9	NW150CF	8" [203.20]	0.88" [22.4]	7.128" [181.1]	20x \varnothing 0.332"x18° [20x \varnothing 8.4x18°]	4.173" [106]
10	NW200CF	10" [254.00]	0.97" [24.6]	9.128" [231.9]	24x \varnothing 0.332"x15° [24x \varnothing 0.332x15°]	6.456" [164]
11	NW250CF	12" [304.80]	1.02" [25.4]	11.180" [284.0]	32x \varnothing 0.332"x12° [32x \varnothing 8.4x12°]	6.456" [164]
12	NW275CF	13 1/4" [336.55]	1.12" [28.9]	12.060" [306.3]	30x \varnothing 0.390"x12° [30x \varnothing 9.9x12°]	7.874" [200]



WINDOW MATERIAL GLASS OPTIONS:

- GLASS
- FUSED SILICA
- SAPPHIRE
- CUSTOM

PROPRIETARY AND CONFIDENTIAL
THE INFORMATION CONTAINED IN THIS DRAWING IS THE SOLE PROPERTY OF RAYOTEK SCIENTIFIC, INC. ANY REPRODUCTION IN PART OR AS A WHOLE WITHOUT THE WRITTEN PERMISSION OF RAYOTEK SCIENTIFIC, INC. IS PROHIBITED.

UNLESS OTHERWISE SPECIFIED:		NAME	DATE	RAYOTEK SCIENTIFIC, INC.
DIMENSIONS ARE IN INCHES		DRAWN	08-24-09	
TOLERANCES: FRACTIONAL ±		CHECKED		
ANGULAR: MACH ± BEND ±1		ENG APPR.		
TWO PLACE DECIMAL ±0.010		MFG APPR.		
THREE PLACE DECIMAL ±0.005		Q.A.		11499 Sorrento Valey Rd, San Diego, CA 92121 Tel: 858-558-3671
INTERPRET GEOMETRIC TOLERANCING PER:		COMMENTS:		
MATERIAL 304L SS				
FINISH		SIZE	CONFLAT FLANGE INTERNAL PRESSURE	REV C
DO NOT SCALE DRAWING		SCALE:	WEIGHT:	SHEET 1 OF 1