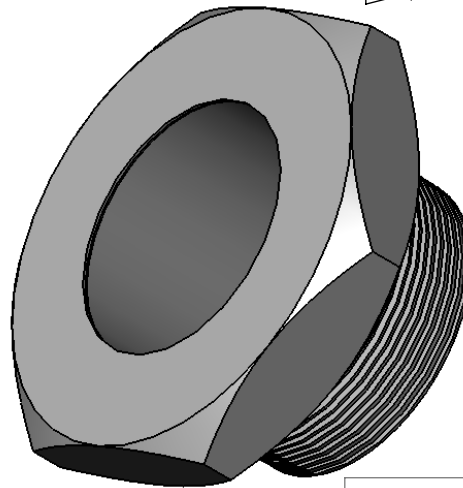
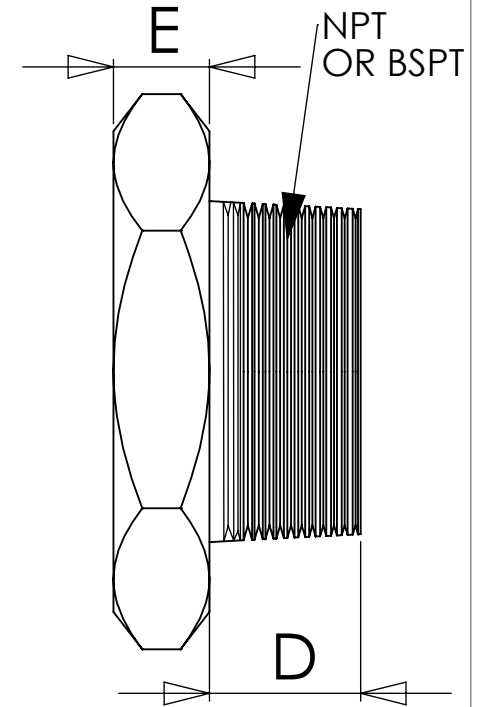
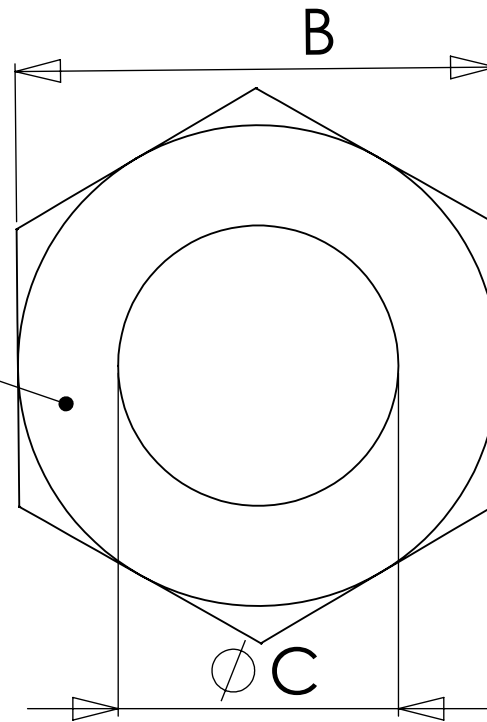


HIGH PRESSURE SIGHT GLASS

FLAT AND CHAMFER
STANDARD BOLT GEOMETRY

NPT/ BSPT	B	C	D	E
2"	2.500	1.375	0.760	0.360
1-1/2"	2.000	1.060	0.715	0.337
1-1/4"	1.625	0.896	0.670	0.318
1"	1.315	0.731	0.670	0.298
1/4"	0.560	0.300	0.396	0.219
3/4"	1.100	0.510	0.549	0.278
1/2"	0.880	0.415	0.525	0.258
3/8"	0.690	0.385	0.396	0.239



NOMINAL DIAMETER
NPT/BSPT

- 1/4" - 0.540"
- 3/8" - 0.675"
- 1/2" - 0.840"
- 3/4" - 1.050"
- 1" - 1.315"
- 1-1/4" - 1.660"
- 1-1/2" - 1.900"
- 2" - 2.375"

WINDOW MATERIAL OPTIONS:

- GLASS
- FUSED SILICA
- SAPPHIRE

PROPRIETARY AND CONFIDENTIAL

THE INFORMATION CONTAINED IN THIS DRAWING IS THE SOLE PROPERTY OF RAYOTEK SCIENTIFIC, INC. ANY REPRODUCTION IN PART OR AS A WHOLE WITHOUT THE WRITTEN PERMISSION OF RAYOTEK SCIENTIFIC, INC. IS PROHIBITED.

DIMENSIONS ARE IN INCHES TOLERANCES: ± 0.01 UNLESS NOTED		NAME	DATE
DRAWN			01-07-09
CHECKED			
ENG APPR.			
MFG APPR.			
Q.A.			
COMMENTS:			
MATERIAL	303S		
FINISH	--		
DO NOT SCALE DRAWING			

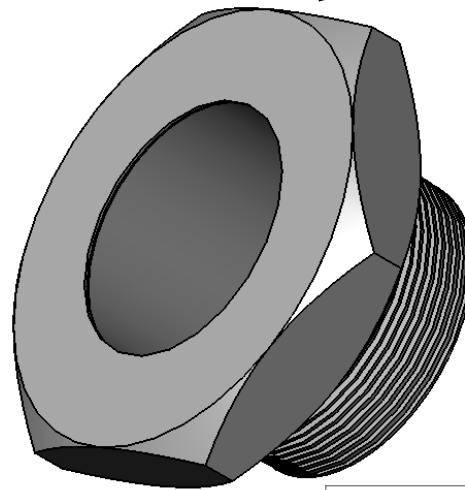
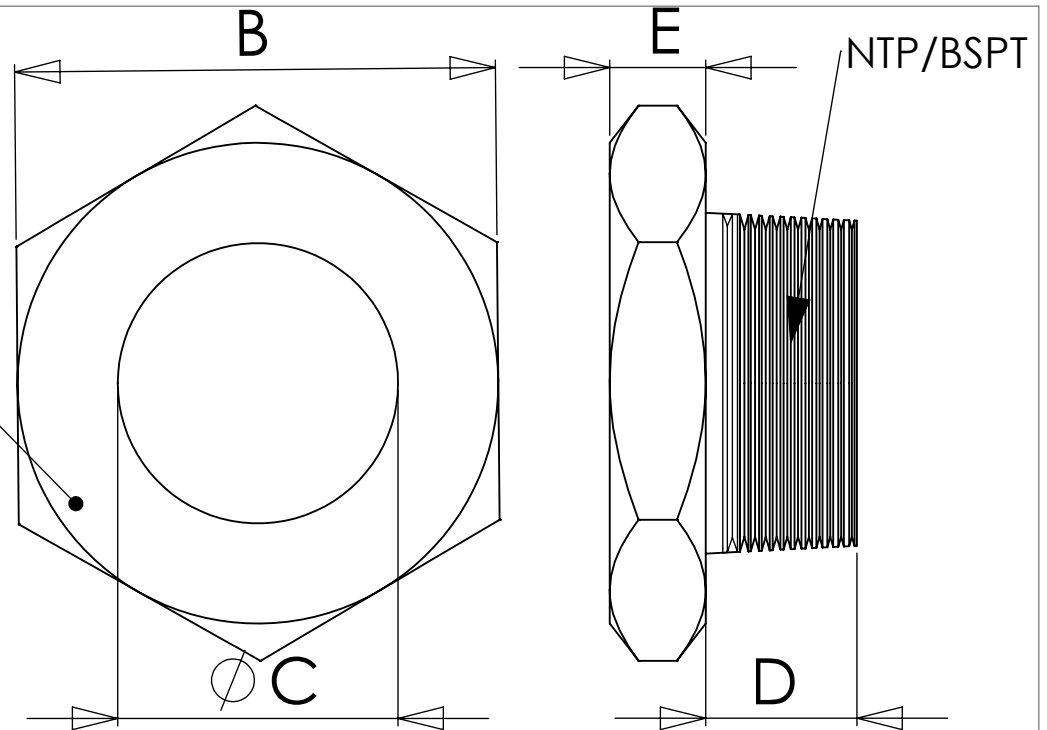
Rayotek Scientific Inc.
11499 Sorrento Valley Rd.
San Diego, CA. 92121
Tel: 858-558-3671

SIZE A	DWG. NO. HP SIGHT GLASS	Rev D
SCALE:2:1	WEIGHT:	SHEET 1 OF 1

LOW PRESSURE SIGHT GLASS

FLAT AND CHAMFER
STANDARD BOLT GEOMETRY

NPT/BSPT	B	C	D	E
2"	2.500	1.875	0.760	0.290
1-1/2"	2.000	1.510	0.715	0.270
1-1/4"	1.625	1.300	0.670	0.254
1"	1.313	0.980	0.670	0.238
3/4"	1.100	0.760	0.549	0.222
1/2"	0.880	0.610	0.525	0.206
3/8"	0.690	0.460	0.396	0.190
1/4"	0.560	0.350	0.396	0.175



NOMINAL DIAMETER
NPT/BSPT

- 1/4" - 0.540"
- 3/8" - 0.675"
- 1/2" - 0.840"
- 3/4" - 1.050"
- 1" - 1.315"
- 1-1/4" - 1.660"
- 1-1/2" - 1.900"
- 2" - 2.375"

WINDOW MATERIAL OPTIONS:

- GLASS
- FUSED SILICA
- SAPPHIRE

PROPRIETARY AND CONFIDENTIAL

THE INFORMATION CONTAINED IN THIS DRAWING IS THE SOLE PROPERTY OF RAYOTEK SCIENTIFIC, INC. ANY REPRODUCTION IN PART OR AS A WHOLE WITHOUT THE WRITTEN PERMISSION OF RAYOTEK SCIENTIFIC, INC. IS PROHIBITED.

DIMENSIONS ARE IN INCHES
TOLERANCES: ± 0.01
UNLESS NOTED

303S

FINISH

--

DO NOT SCALE DRAWING

NAME DATE

01-07-09

CHECKED

ENG APPR.

MFG APPR.

Q.A.

COMMENTS:

Rayotek Scientific Inc.
11499 Sorrento Valley Rd.
San Diego, CA. 92121
Tel: 858-558-3671

SIZE DWG. NO. LP SIGHT GLASS

Rev D

SCALE:2:1

WEIGHT:

SHEET 1 OF 1